

L00771

Warnings

- ⚠ This instruction is an integral part of the booklet of the appliance on which the kit is installed. Please consult this booklet for general warnings and fundamental safety rules.
- ⚠ For a rapid and right assembly of the components follow carefully the sequences described in the various sections.
- ⚠ All the operations must be performed by qualified personnel using the required Personal Protective Equipment.

Installation kit for built-in box for lateral air ventilation DX

Use this kit to divert air laterally to a perimeter wall when you intend to place the air conditioner on an interior wall.
The kit consist of:

- a formwork for the side air outlet
- cables electrical connections
- ⚠ This kit is compatible with the only DC Inverter versions.

Installation arrangement**Preliminary warnings**

- ⚠ Make sure that:
 - the wall on which you intend to install the unit has an appropriate structure and capacity
 - the wall surface is not crossed by pipelines or power lines
 - the wall surface is perfectly levelled
 - there are no obstructions nearby that could compromise the inlet and outlet airflow
 - air flow is not directed towards by-standers

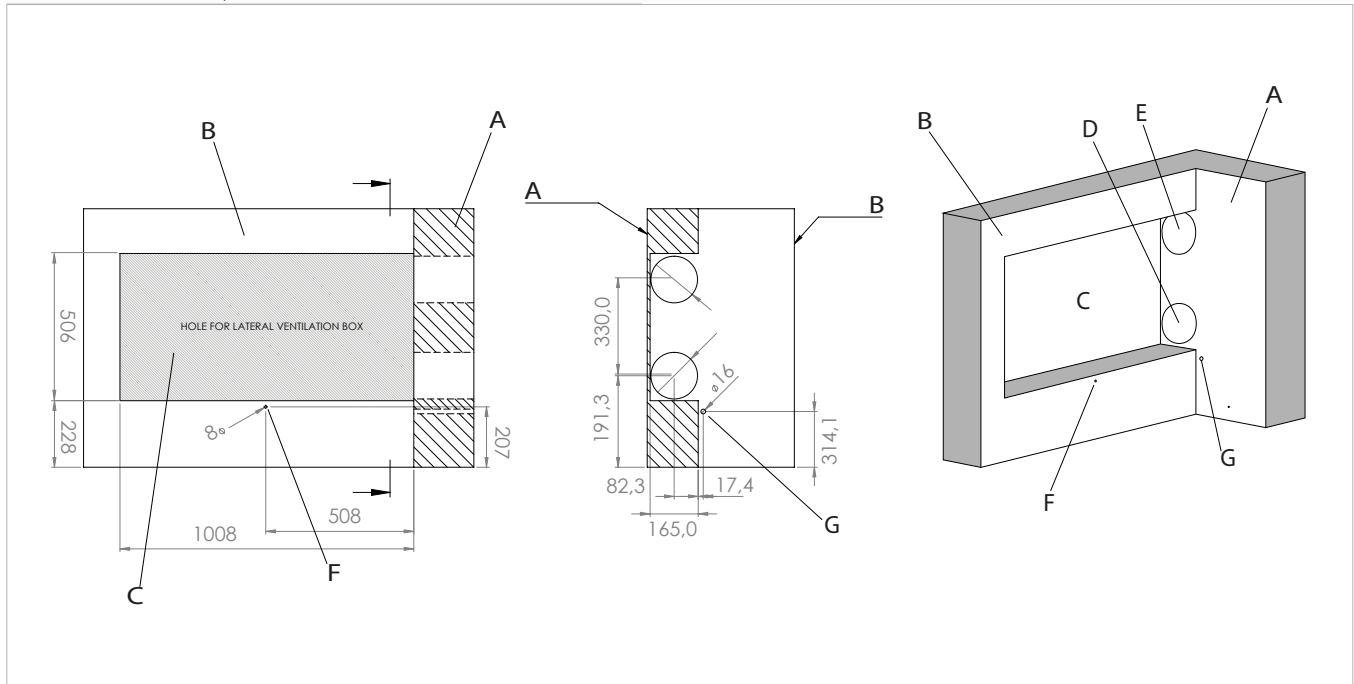
Preparation of the wall

To install the unit, prepare the wall for housing the metal casing.

Width	1006 mm
Height	505 mm
Depth	165 mm

A	External perimeter wall
B	Wall housing formwork
C	Formwork space
D	Air outlet hole, 162 Ø

E	Air intel hole, 162 Ø
F	Hole for wall locking, 8 Ø
G	Condensate drain hole, 16 Ø



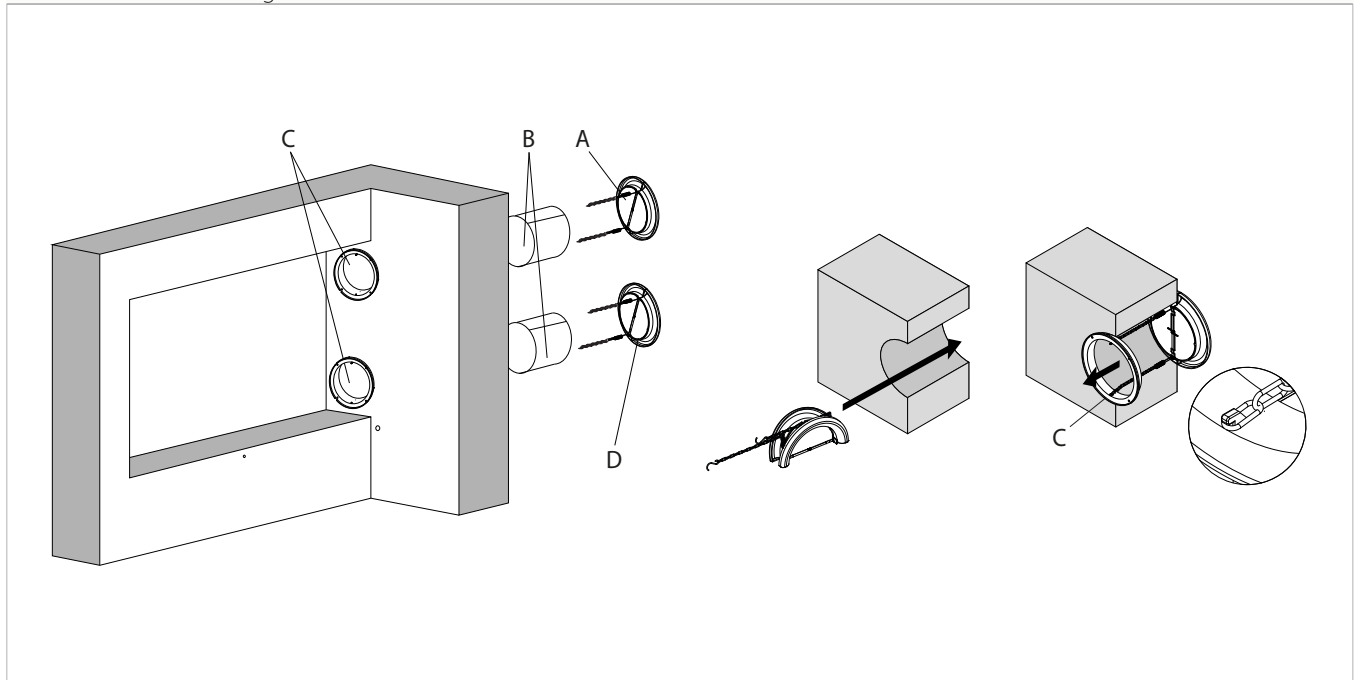
Kit assembly

External grids installation

Before proceeding with the installation of the kit, install the external grilles supplied with the appliance.

⚠ For the installation of the external grilles, refer to the installation manual of the appliance on which the kit is installed.

A	External air outlet grill
B	Wall inlet pipes (2pz)
C	Internal grid component
D	External air intake grill



Box installation

– Insert the formwork completely into the space provided

– Fix into the wall properly the formwork

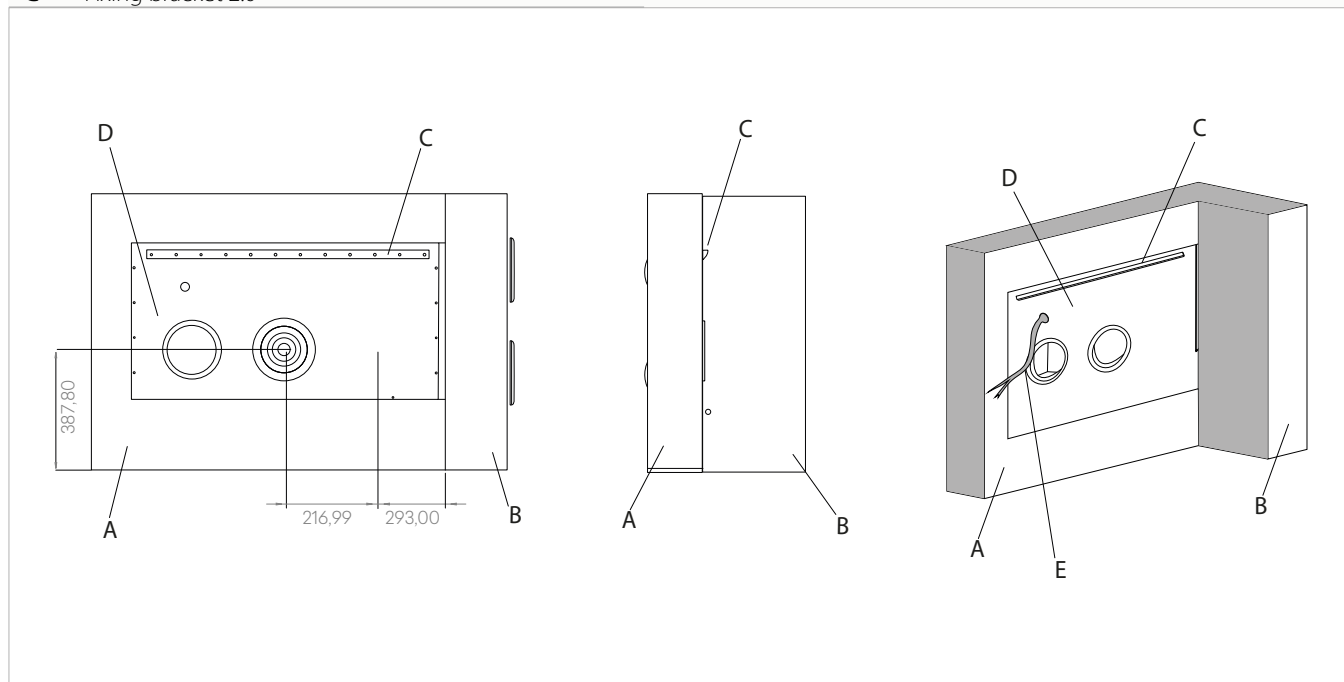
A Wall housing formwork

B External perimeter wall

C Fixing bracket 2.0

D Lateral ventilation box

E Electric connections

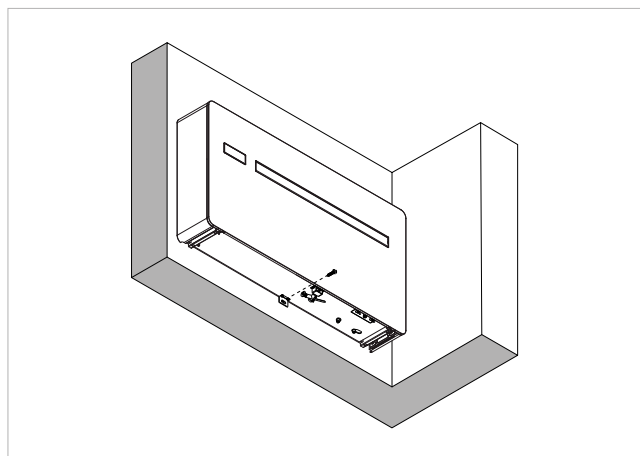


Unit installation

⚠ Before installing the unit on the bracket, run the cables coming out of the formwork through the left shoulder of the unit.

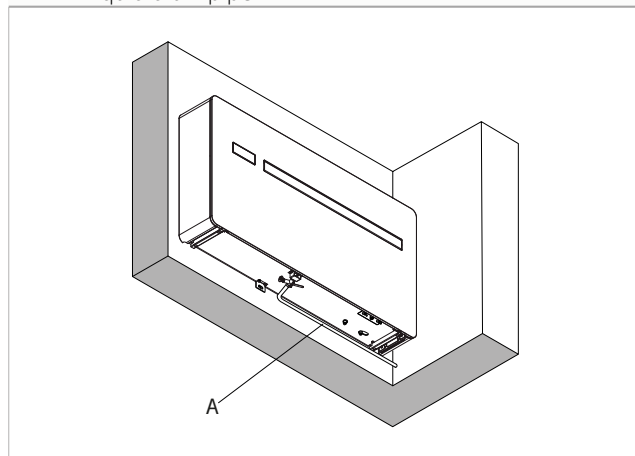
⚠ For the installation of the appliance, refer to its installation manual.

Anchor the machine to the wall by means of the special anti-lift bracket located at the bottom of the machine.



Connect the liquid drain pipe.

A Liquid drain pipe



Electric connections

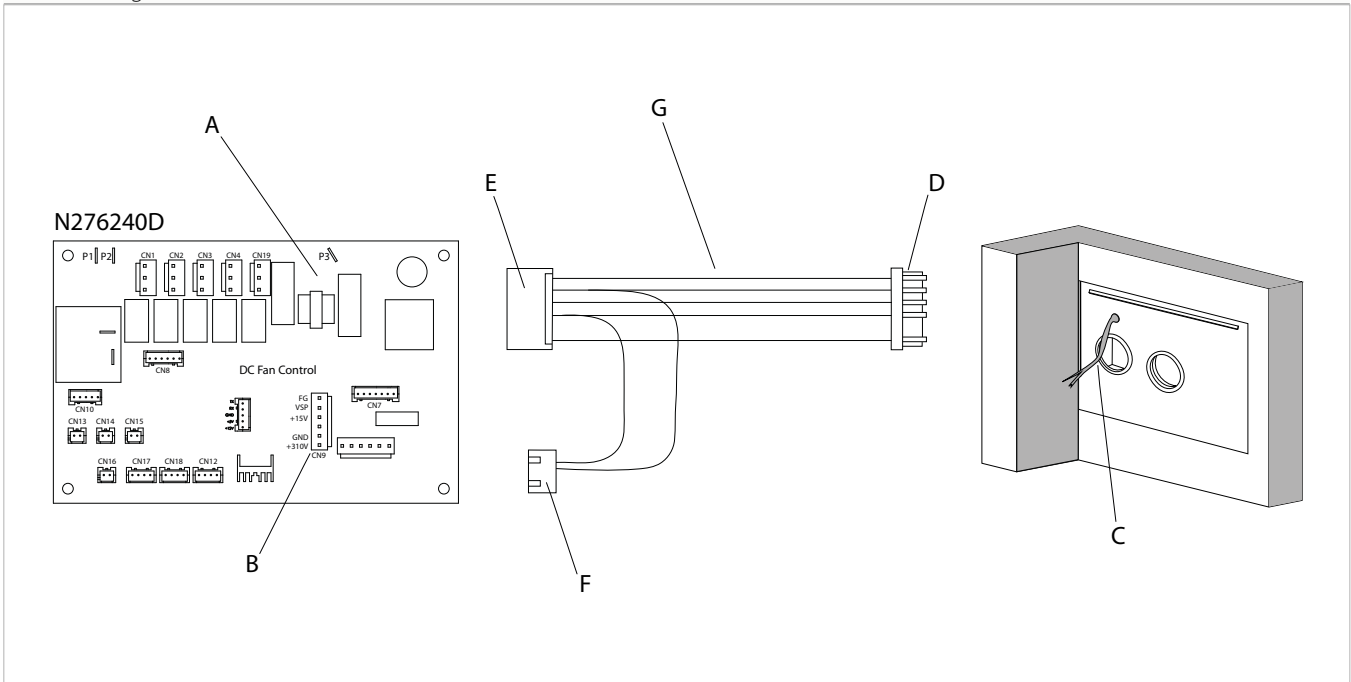
Refer to the manual of the appliance on which the kit is installed to access the electrical connections section.

⚠ To make electrical connections:

- check that the formwork's power cables have been correctly routed through the left shoulder of the unit

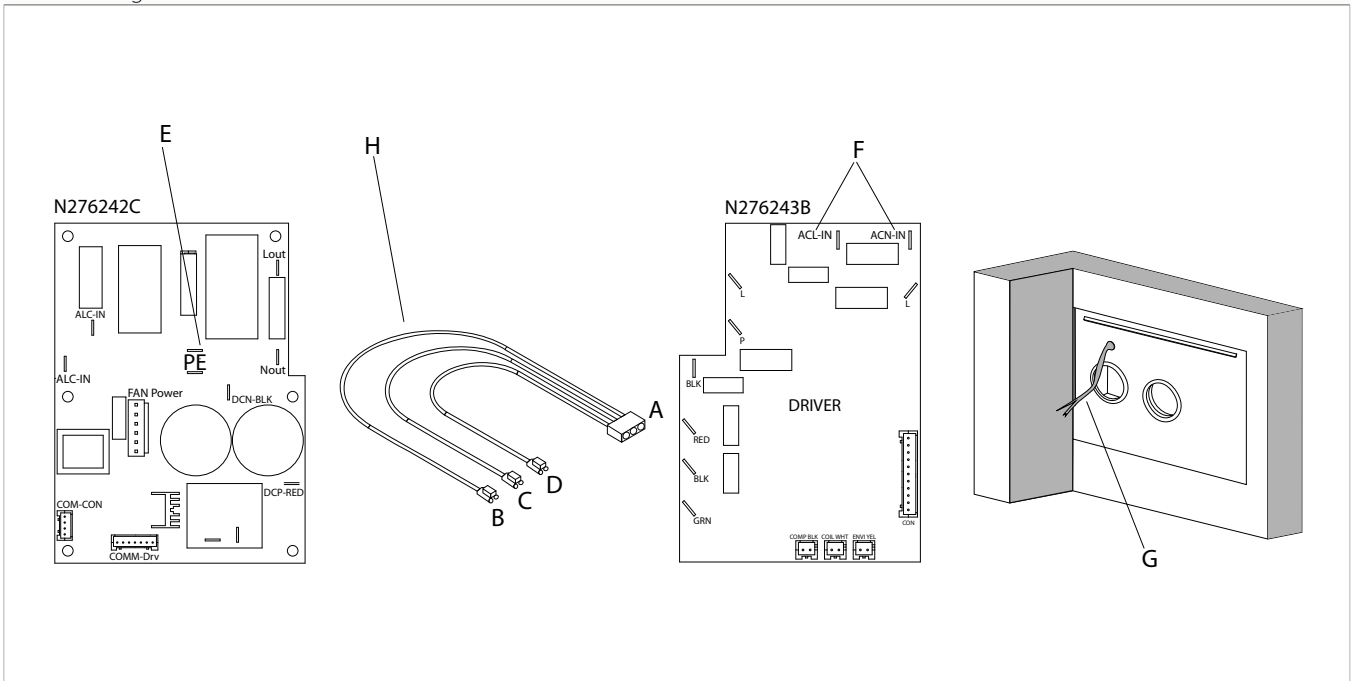
- use the cables supplied with the formwork (code N500172A and code N500169B).

A	MAIN MCU board (cod. N276240D)
B	CN9 contact fan output
C	Formwork connection cables
D	Molex clamp, 6-way, 1 row, 3,96 mm pitch
E	PCB connector molex, 6 way, 1 row, 3,96 mm pitch, female
F	Clamp JST-XH, 4-way, 1-row, 2,5 mm pitch
G	Wiring N500169B



- disconnect CN9 fan output contact (B), from MAIN MCU board N276240D
- connect the Molex PCB connector (E) to the CN9 fan output contact (B)
- connect the CN9 fan output contact (B), previously disconnected, to the molex terminal (D).
- connect the fan signal from the ventilation box to terminal JST-XH (F)

A	MATE N'LOCK female connector, for formwork fan power supply
B	Earth power supply
C	Power supply line
D	Neutral formwork fan power supply
E	PE
F	ACL_IN e ACN_IN
G	Formwork connection cables
H	Wiring N500169B



- connect the MATE N'LOCK connector (A) to the formwork connection cable (G) of the external fan
- disconnect the cables on ALC_IN and ALC_IN from the Driver board N276243B
- connect the wires of the N500169B wiring on the driver. Connect the power supply line (brown) (C) on ACL_IN and the neutral formwork fan power supply (blue) (D) on ACN_IN
- Reconnect the driver wires in the faston piggy bags (blue on ACN_IN and RED on ACL_IN)
- disconnect the ground wires on the power board from the central PE connector
- connect the yellow/green power supply ground wire (B) of the N500169B wiring on PE contact (E) of the power board
- reconnect the previously disconnected wires on the double faston.